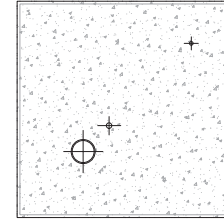


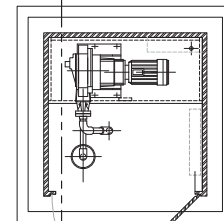
PIPING DETAIL AT BRIDGE
SCALE: 1/4" = 1'



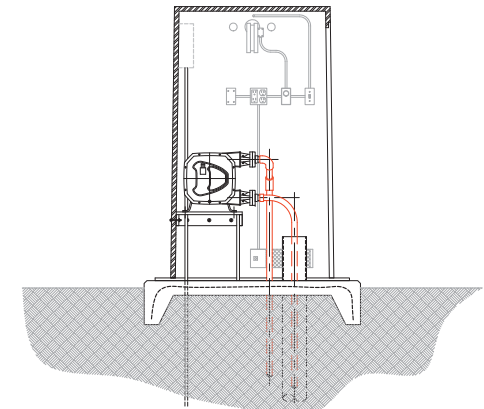
PHOTO AT PIPING DETAIL AT BRIDGE
NO SCALE



ENCLOSURE SLAB PLAN



ENCLOSURE PLAN



ENCLOSURE SECTION A-A'
WELL ENCLOSURE DETAILS
SCALE: 3/4" = 1'

DATE	BY	REVISIONS
12/09/09	ELR	
	ELR	
	ELR	
	ELR	

FILE NO: 6285_05_000
REVISED IN ACCORDANCE WITH CONSTRUCTION RECORDS

**WOLVERINE WORLD WIDE/WNU
FORMER TANNERY SITE, 123 MAIN ST, ROCKFORD, MI
GROUNDWATER TREATMENT FACILITY**

ROSE & WESTRA
A DIVISION OF CZA
CIVIL, ELECTRICAL, MECHANICAL,
GEOLOGICAL, ENVIRONMENTAL, ECOLOGICAL, WATER-CONSTRUCTION MANAGEMENT



PROJECT NO:
16.0062335.05
SHEET NO:

C-1